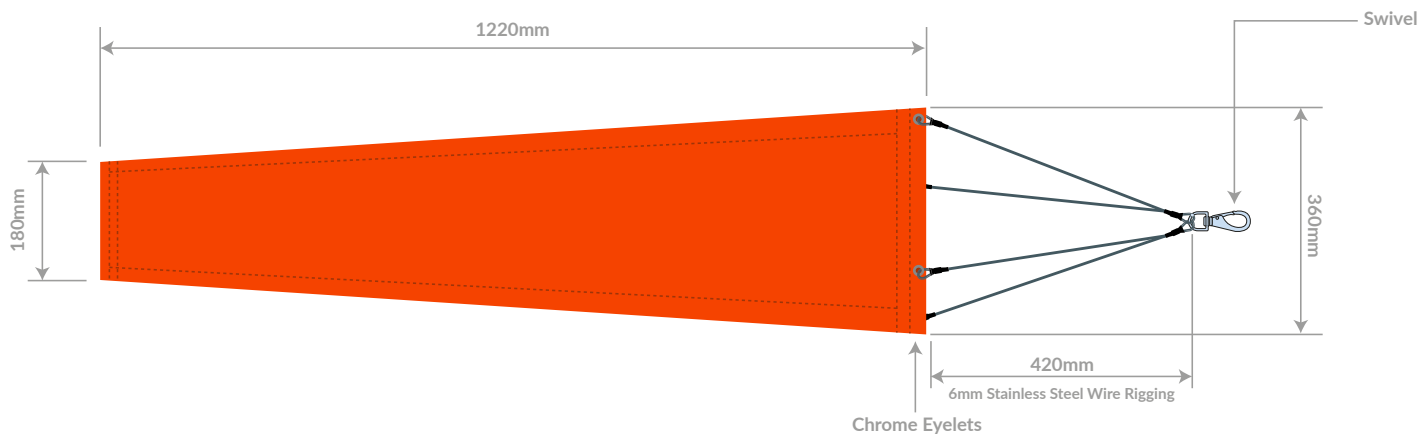


4' Windsack Specification Sheet

Product Image



Product Dimensions



Material Specifications



Weight:	150 gm Polyurethane Coated Polyester. Water Repellent Finish; Clear coating
Colour:	Flourescent (Dayglo) Orange
Colorfast:	ISO 105 Grade 5.5
Durability:	ISO 7845 50,000 flexes
Tensile Strength:	BS 3424 Warp 800 N Weft 500 N
Tear Strength:	Warp 40 N Weft 40 N
Construction:	2 Panels : Double fold sewn seams. Nylon Hoop & stainless steel ferrule with integral sleeve. Reinforced mouth with nickel plated brass grommets. Harness 4 arms 6mm stainless steel wire with stainless steel snap swivel Steel thimbles and Copper ferrules